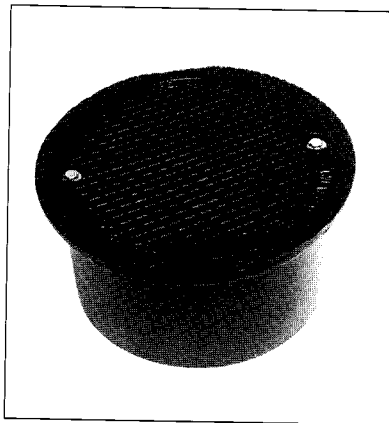


100C

All Purpose Round Manhole

The All Purpose Round Manhole features a cast iron ring, cast iron cover with finger grip holes, steel skirt and carries the H-20 load rating.

Model No.	Size	Height	Width	Weight (lbs.)
100C8X75	8" x 7 ¹ / ₂ "	6 ³ / ₄ "	9 ¹ / ₄ "	11.0
100C8X12	8" x 12"	12 ³ / ₄ "	9 ¹ / ₄ "	13.0
100C8X18	8" x 18"	18 ³ / ₄ "	9 ¹ / ₄ "	17.0
100C10X75	10" x 7 ¹ / ₂ "	6 ³ / ₄ "	11 ¹ / ₄ "	18.0
100C12X8	12" x 8"	7 ¹ / ₄ "	13 ³ / ₄ "	27.0
100C12X12	12" x 12"	13 ³ / ₄ "	13 ³ / ₄ "	30.0
100C12X18	12" x 18"	19 ³ / ₄ "	13 ³ / ₄ "	33.0

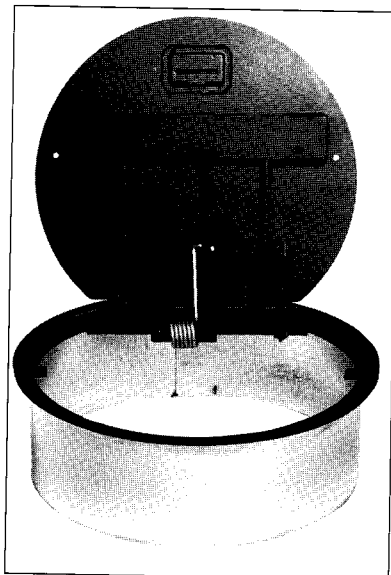


102

Rain Tight All Purpose Round Manhole

The Rain Tight All Purpose Round Manhole features a cast iron ring and cover with machine fitted Buna-N O-Ring for rain tight security, steel skirt, 3/8" flush mount stainless steel bolts and carries the H-20 load rating.

Model No.	Size	Height	Width	Weight (lbs.)
10212X8	12" x 8"	7"	13 ³ / ₄ "	27.0
10212X12	12" x 12"	13"	13 ³ / ₄ "	30.0

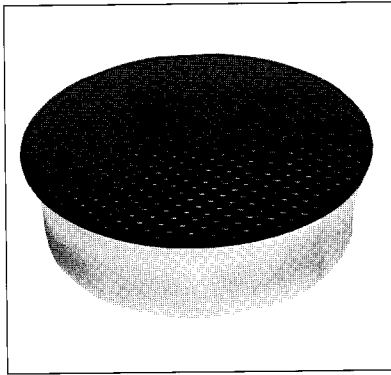


109

Spring Assisted Round Manhole

The Spring Assisted Round Manhole provides a lifting weight similar to a composite manhole cover with the strength and durability of steel. The manhole features a lifetime guaranteed spring, 1¹/₄" wide steel ring frame, 3/8" diamond plate steel cover with rust resistant coating, automatic safety latch to prevent accidental closing, 3/8" flush mount stainless steel bolts, 14 gauge galvanized steel skirt and carries the H-20 load rating. The 36" and 38" models include two springs, and the 42" and 48" models have split covers with springs on both halves. The Model 109WT is a rain tight manhole, which includes a Buna-N gasket.

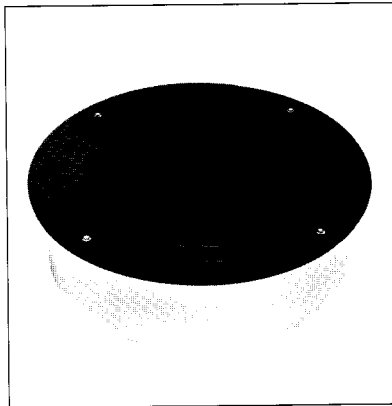
Model No.	Size	Height	Width	Weight (lbs.)
10930X10	30" x 10"	10 ³ / ₈ "	31 ¹ / ₄ "	128.0
10936X10	36" x 10"	10 ³ / ₈ "	37 ¹ / ₄ "	180.0
10938X10	38" x 10"	10 ³ / ₈ "	39 ¹ / ₄ "	200.0
10942X10	42" x 10"	10 ³ / ₈ "	43 ¹ / ₄ "	275.0
10948X10	48" x 10"	10 ³ / ₈ "	49 ¹ / ₄ "	340.0
10930X10WT	30" x 10"	10 ³ / ₈ "	31 ¹ / ₄ "	128.0
10936X10WT	36" x 10"	10 ³ / ₈ "	37 ¹ / ₄ "	180.0
10938X10WT	38" x 10"	10 ³ / ₈ "	39 ¹ / ₄ "	200.0
10942X10WT	42" x 10"	10 ³ / ₈ "	43 ¹ / ₄ "	275.0
10948X10WT	48" x 10"	10 ³ / ₈ "	49 ¹ / ₄ "	340.0



106

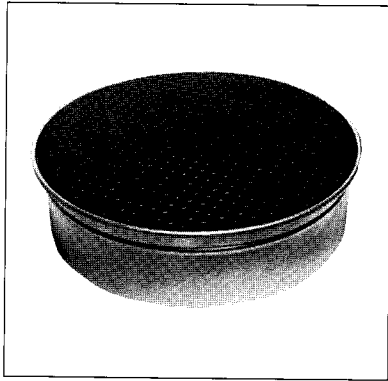
Heavy Duty Round Manhole

The Heavy Duty Round Manhole features a 1 1/4" wide steel ring frame, 3.8" diamond plate steel cover with rust resistant coating (covers 30" and larger include a 4" wide reinforcing channel welded to the underside of the cover), 14 gauge galvanized steel skirt and carries the H-20 load rating. The 16" to 24" models have covers with finger grip hole (excluding rain tight models). The 30", 36" and 38" model covers include an easy grip recessed handle and the 42" and larger model covers are provided with two easy grip recessed handles. The Model 106LA and Model 107 are limited access manholes, which include four 3/8" flush mount stainless steel bolts. The Model 107 is also a rain tight manhole, which includes a Buna-N gasket. Optional PEMCO Model 106L liners are also available for all models of the heavy duty round manhole.



107

Model No.	Size	Height	Width	Weight (lbs.)
10616X10	16" x 10"	10"	17 1/4"	41.0
10618X10	18" x 10"	10"	19 1/4"	49.0
10620X10	20" x 10"	10"	21 1/4"	57.0
10624X10	24" x 10"	10"	25 1/4"	79.0
10630X10	30" x 10"	10"	31 1/4"	118.0
10636X10	36" x 10"	10"	37 1/4"	170.0
10638X10	38" x 10"	10"	39 1/4"	190.0
10642X10	42" x 10"	10"	43 1/4"	250.0
10648X10	48" x 10"	10"	49 1/4"	315.0
10652X10	52" x 10"	10"	53 1/4"	390.0
10616X10LA	16" x 10"	10"	17 1/4"	41.0
10618X10LA	18" x 10"	10"	19 1/4"	49.0
10620X10LA	20" x 10"	10"	21 1/4"	57.0
10624X10LA	24" x 10"	10"	25 1/4"	79.0
10630X10LA	30" x 10"	10"	31 1/4"	118.0
10636X10LA	36" x 10"	10"	37 1/4"	170.0
10638X10LA	38" x 10"	10"	39 1/4"	190.0
10642X10LA	42" x 10"	10"	43 1/4"	250.0
10648X10LA	48" x 10"	10"	49 1/4"	315.0
10652X10LA	52" x 10"	10"	53 1/4"	390.0
10716X10	16" x 10"	10"	17 1/4"	41.0
10718X10	18" x 10"	10"	19 1/4"	49.0
10720X10	20" x 10"	10"	21 1/4"	57.0
10724X10	24" x 10"	10"	25 1/4"	79.0
10730X10	30" x 10"	10"	31 1/4"	118.0
10736X10	36" x 10"	10"	37 1/4"	170.0
10738X10	38" x 10"	10"	39 1/4"	190.0
10742X10	42" x 10"	10"	43 1/4"	250.0
10748X10	48" x 10"	10"	49 1/4"	315.0
10752X10	52" x 10"	10"	53 1/4"	390.0
106L 16" TO 24"	-	-	-	-
106L 30" TO 42"	-	-	-	-
106L 48" TO 52"	-	-	-	-

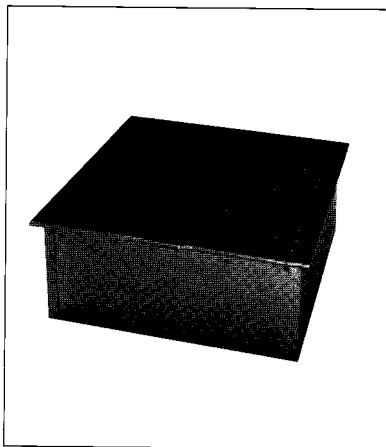


108

Round Manhole

The Round Manhole features a 3/8" diamond plate steel cover with rust resistant coating, a 4" wide reinforcing channel welded to the underside of the cover, 14 gauge galvanized steel skirt and carries the H-20 load rating. The galvanized steel skirt body is rolled to form the manhole ring. The covers include an easy grip recessed handle. Optional PEMCO Model 106L liners are also available for all models of the round manhole.

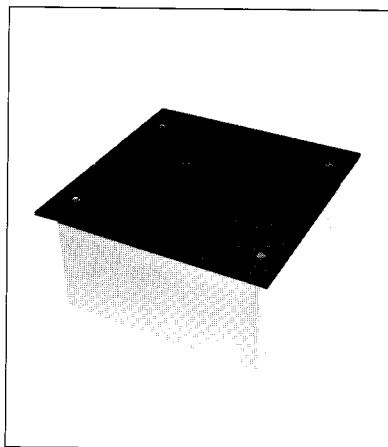
Model No.	Size	Height	Width	Weight (lbs.)
10830X10	30" x 10"	10"	31 1/2"	106.5
10836X10	36" x 10"	10"	37 1/2"	159.0
10838X10	38" x 10"	10"	39 1/2"	176.5



105

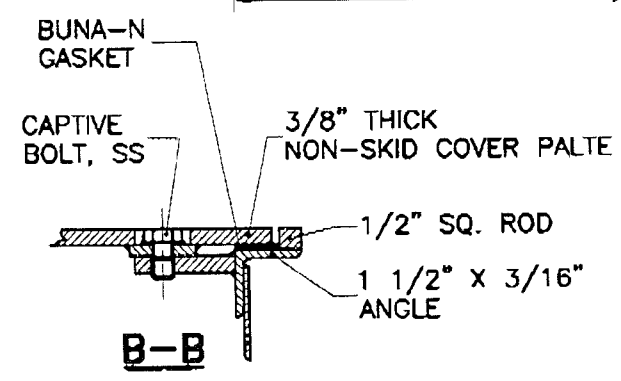
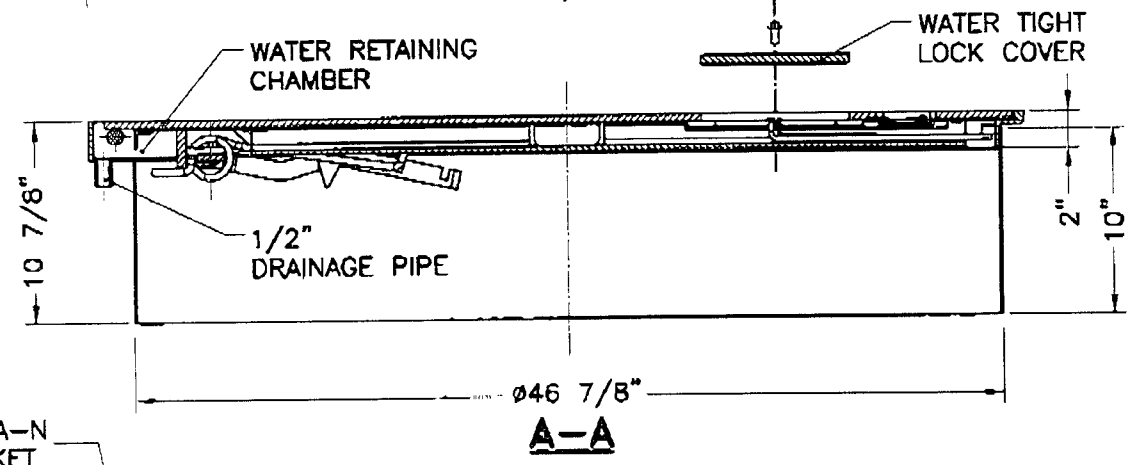
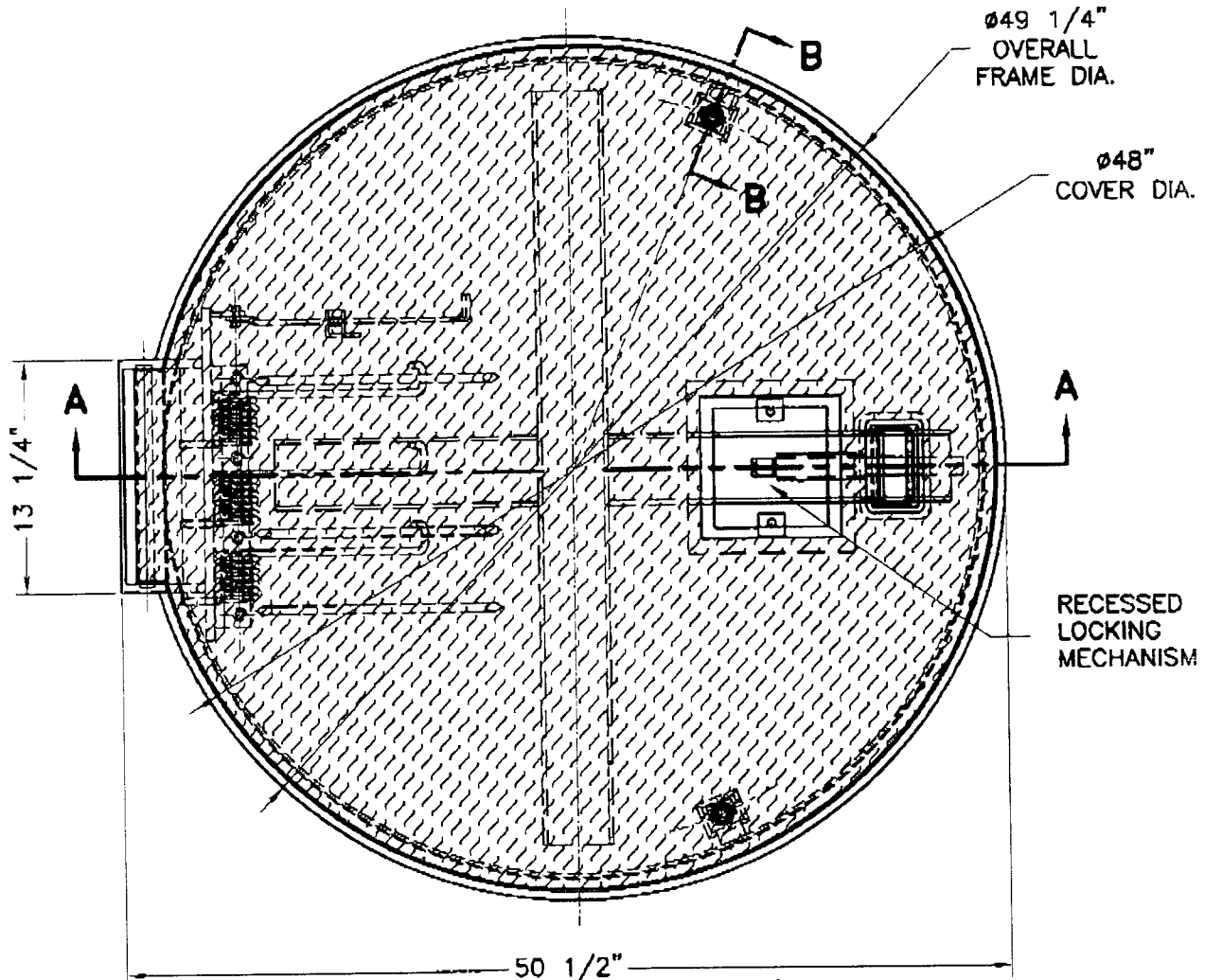
Heavy Duty Square/Rectangular Manhole

The Heavy Duty Square/Rectangular Manhole features a 3/8" diamond plate steel cover with rust resistant coating (covers 30" and larger include a 4" wide reinforcing channel welded to the underside of the cover), 16 gauge galvanized steel skirt with welded overlapping corners for added strength and carries the H-20 load rating. The 30" and larger model covers are provided with an easy grip recessed handle. The Model 105LA and Model 105WT are limited access manholes, which include four 3/8" flush mount stainless steel bolts. The Model 105WT is also a rain tight manhole, which includes a Buna-N gasket. Optional PEMCO Model 105L liners are also available for all models of the heavy duty square/rectangular manhole.

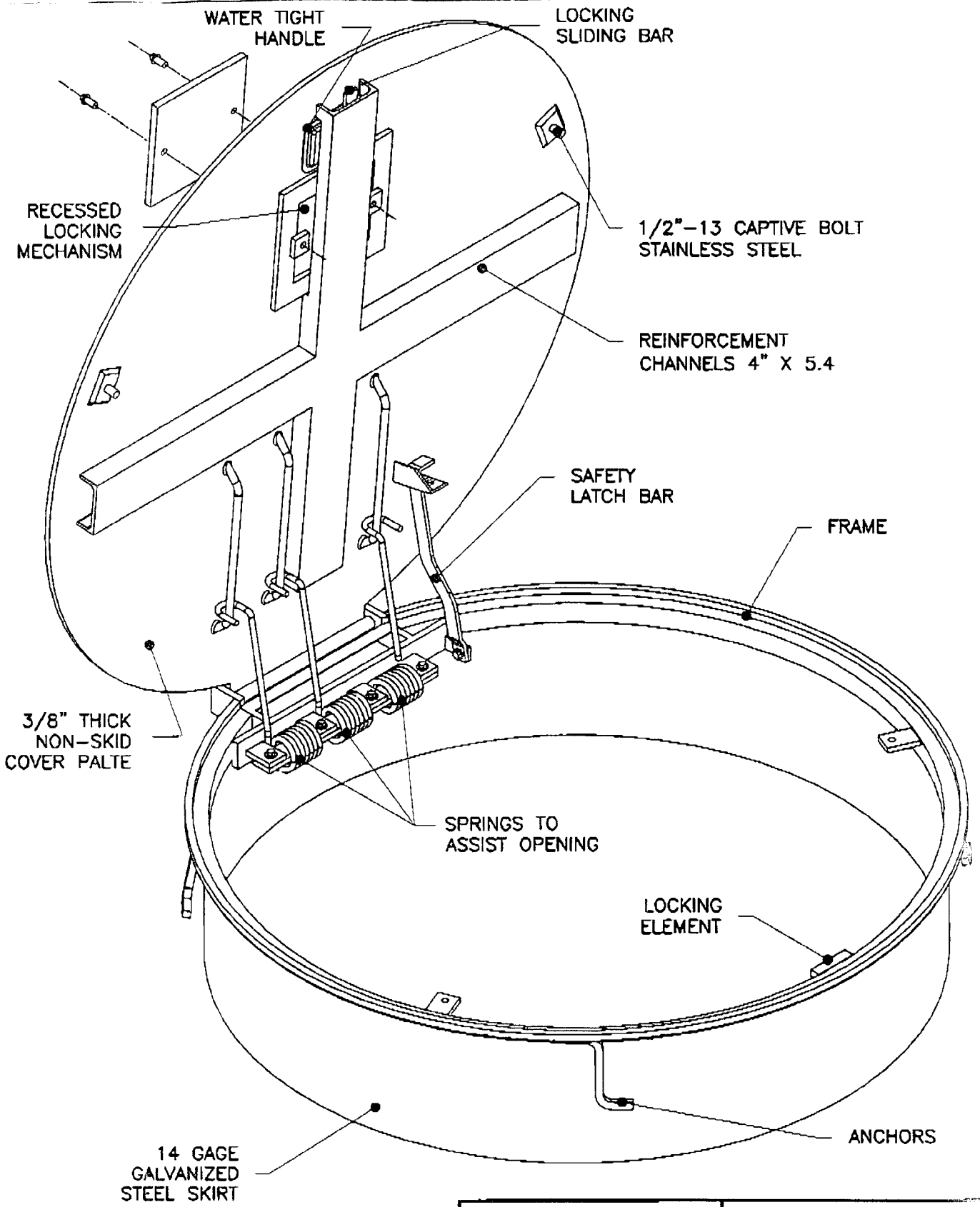


105WT

Model No.	Size	Height	Length	Width	Weight (lbs.)
10512X12	12" x 12" x 10"	10"	12 1/4"	12 1/4"	25.0
10512X24	12" x 24" x 10"	10"	12 1/4"	24 1/4"	43.0
10516X16	16" x 16" x 10"	10"	16 1/4"	16 1/4"	30.0
10518X18	18" x 18" x 10"	10"	18 1/4"	18 1/4"	51.0
10520X20	20" x 20" x 10"	10"	20 1/4"	20 1/4"	57.0
10524X24	24" x 24" x 10"	10"	24 1/4"	24 1/4"	80.0
10524X24X24	24" x 24" x 24"	24"	24 1/4"	24 1/4"	104.0
10530X30	30" x 30" x 10"	10"	30 1/4"	30 1/4"	128.0
10536X36	36" x 36" x 10"	10"	36 1/4"	36 1/4"	180.0
10542X42	42" x 42" x 10"	10"	42 1/4"	42 1/4"	240.0
10548X48	48" x 48" x 10"	10"	49"	49"	336.0
10520X20LA	20" x 20" x 10"	10"	21"	21"	77.0
10524X24LA	24" x 24" x 10"	10"	25"	25"	100.0
10530X30LA	30" x 30" x 10"	10"	31"	31"	148.0
10536X36LA	36" x 36" x 10"	10"	37"	37"	200.0
10542X42LA	42" x 42" x 10"	10"	43"	43"	260.0
10548X48LA	48" x 48" x 10"	10"	49"	49"	356.0
10520X20WT	20" x 20" x 10"	10"	21"	21"	77.0
10524X24WT	24" x 24" x 10"	10"	25"	25"	100.0
10530X30WT	30" x 30" x 10"	10"	31"	31"	148.0
10536X36WT	36" x 36" x 10"	10"	37"	37"	200.0
10542X42WT	42" x 42" x 10"	10"	43"	43"	260.0
10548X48WT	48" x 48" x 10"	10"	49"	49"	356.0
105L TO 24" SQ	-	-	-	-	-
105L 30" TO 42"	-	-	-	-	-
105L 48" SQ	-	-	-	-	-



<h1 style="margin: 0;">PEMCO</h1>	2185 W 78 St. Hialeah, FL 33016 tel: 305 558-9911 toll free: 800 448-3288 fax: 305 558-8282
	10948X10WT WATER TIGHT LOCKING ROUND MANHOLE WITH SPRING ASSISTED COVER
MODEL 109	
SHEET 1 OF 2	



<h1 style="margin: 0;">PEMCO</h1>	2185 W 76 St. Hialeah, FL 33016 tel: 305 558-9911 toll free: 800 440-3206 fax: 305 558-8282
	MODEL 109 SHEET 2 OF 2

10948X10WT1 WATER TIGHT
 LOCKING ROUND MANHOLE WITH
 SPRING ASSISTED COVER



Advantages

• Fugitive Emission Protection

The Defender Series Spill Container utilizes a 1/4" compression gasket at the point of connection between the female spill containment threads and the tank riser threads to eliminate possible thread leaks. It also meets the TP-201.ID drain valve leak rate of 0.17 CFH at 2.0 in/wc.

• Integrity Confirmation

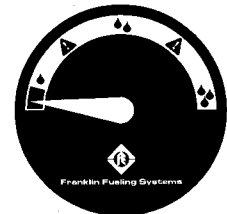
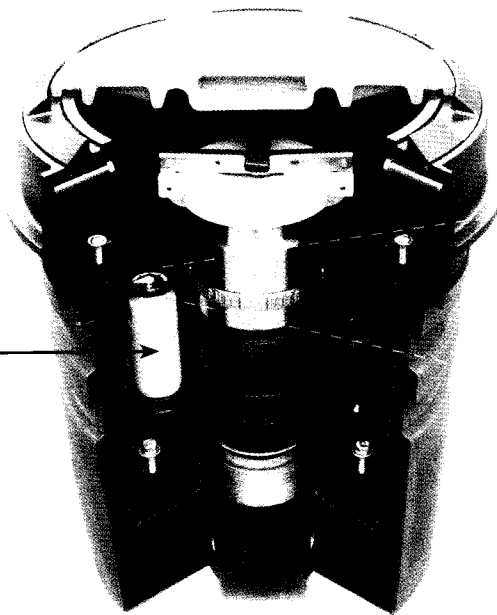
Mechanical or sensor monitored interstitial space on double wall models provide visual or electronic confirmation of containment integrity.

• Minimized Maintenance Costs

The field replaceable containment may be replaced easily without having to break concrete while the protected plow ring connection eliminates the possibility of damaged threads. The single wall option can also be upgraded to a double wall option as regulations evolve without having to break concrete or install a completely new spill container.

Defender Series™ Spill Container with I² Monitor

The importance of spill containment integrity continues to increase as more environmental regulations are implemented around the world, causing the emphasis on spill containment integrity to increase. Today, defending forecourt environments while minimizing expenses is a top priority for station owners. The Defender Series Spill Container with I² Monitor was designed to fulfill these specific needs, while catering to the needs of installers. The end result is a versatile and evolved spill container which meets current and future needs. The Defender Series Spill Container reduces the cost of ownership by minimizing the amount of necessary ongoing maintenance and also provides an easy double wall upgrade solution in anticipation of future regulations. Installers will benefit from the installation height adjustment capability that the Defender Series Spill Container provides which makes it possible to easily adjust to construction site conditions without having to re-cut spill containment tank risers.



I² Monitor

Monthly and annual visual inspections can be efficiently completed by inspecting the I² (Interstitial Integrity) Monitor to confirm liquid has not intruded the secondary containment space. An electronic liquid detection sensor option is also available for site owners who choose to install active leak detection methods to further protect their investment.

Variable Installation Height

The Defender Series double wall and single wall field replaceable spill container was designed with the retrofit application in mind. The variable height adjustment feature allows an installation height range of 14 1/2" to 17 5/8" which minimizes the number of retrofit spill containment options needed to replace existing direct bury containments. This reduces the need to replace tank risers and ultimately reduces the retrofit installation time.